

All dimensions and details are approximate and must be checked on site not scaled from the drawing.
 No part of this drawing can be reproduced or transmitted by any means electronic or mechanical including photocopy without prior permission in writing from GreenBlue Urban.
Package includes the following GreenBlue Urban products per tree:

GBURAC600A RootSpace uprights - 132 No. 500mm x 70mm x 600mm per tree

GBURAC500A RootSpace Airflow deck - 56 No. 500mm x 500mm x 70mm

Rootsoil 20 to fill RootSpace and RootDirector spaces (including root ball volume) - allow 9 cu. m per tree.
 Additional allowance needs to be made for settlement

RootStart Mycorrhiza - apply to tree pit at time of planting in accordance with manufacturer's recommendations - allow 200g per tree

RRARBV150A Arborvent 150 single inlet aeration system with cast inlets including 0.75m 100mm diameter pipe

RD1000-RSA RootSpace RootDirector - medium

GLTWGNA twinwall geonet - 15 sq. m

GRN20 plastic open reinforcing mesh, 20mm aperture - 31 sq. m

SASAPA Arborguy strapped anchor system - large

ULLSSP6A Ullswater vertical steel tree guard with round angle-section rings, 16mm round bars topped with 50mm diameter ball finials, finished in black

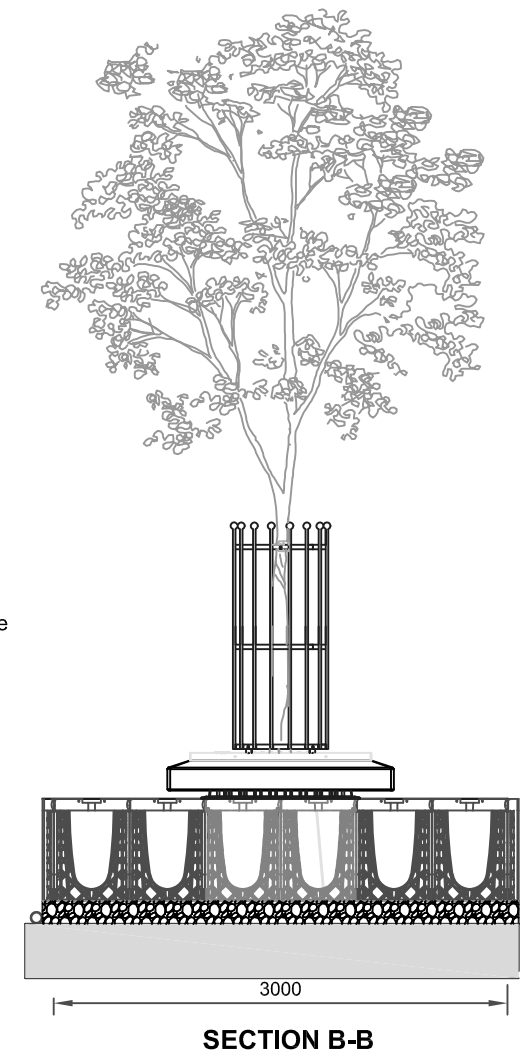
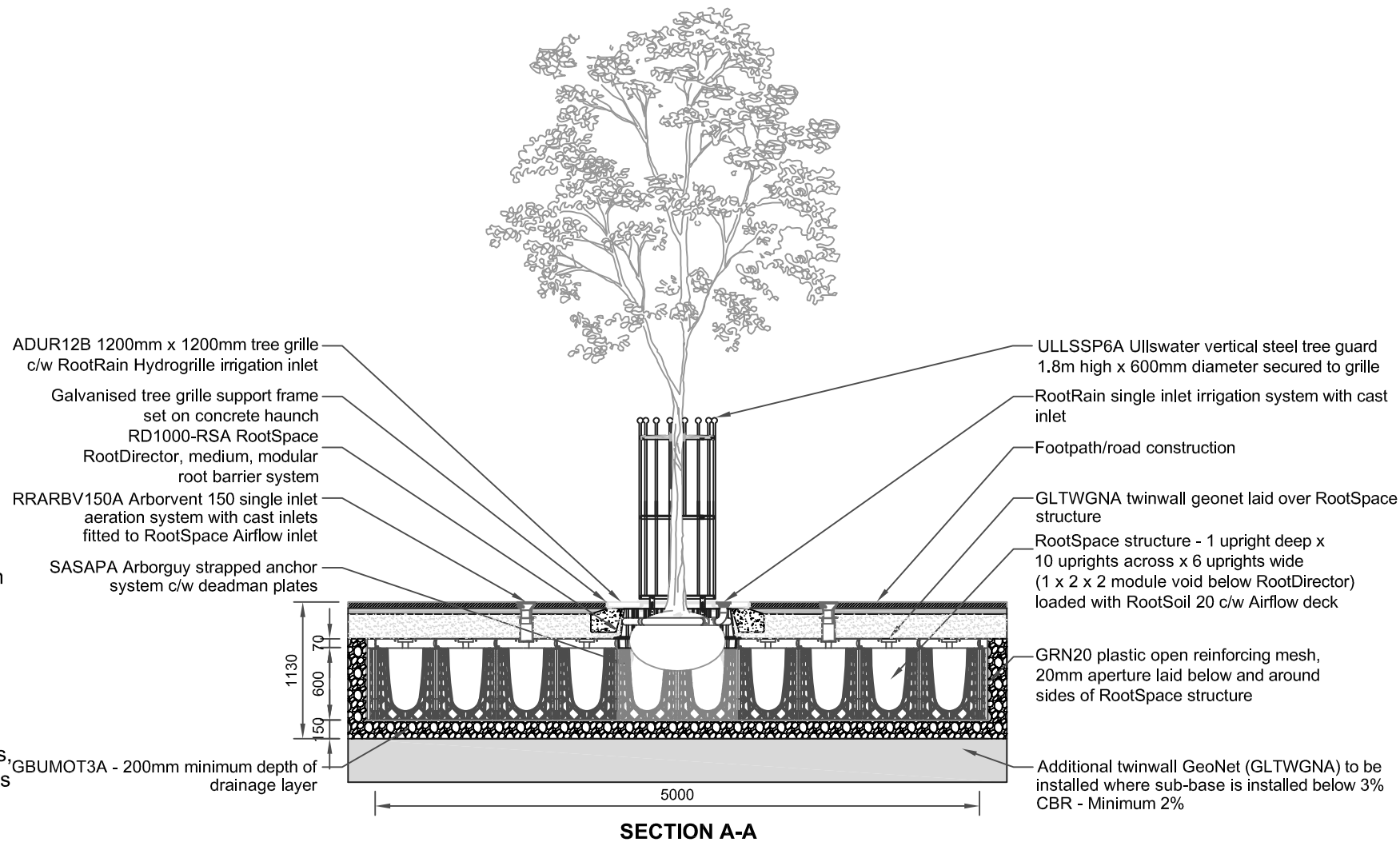
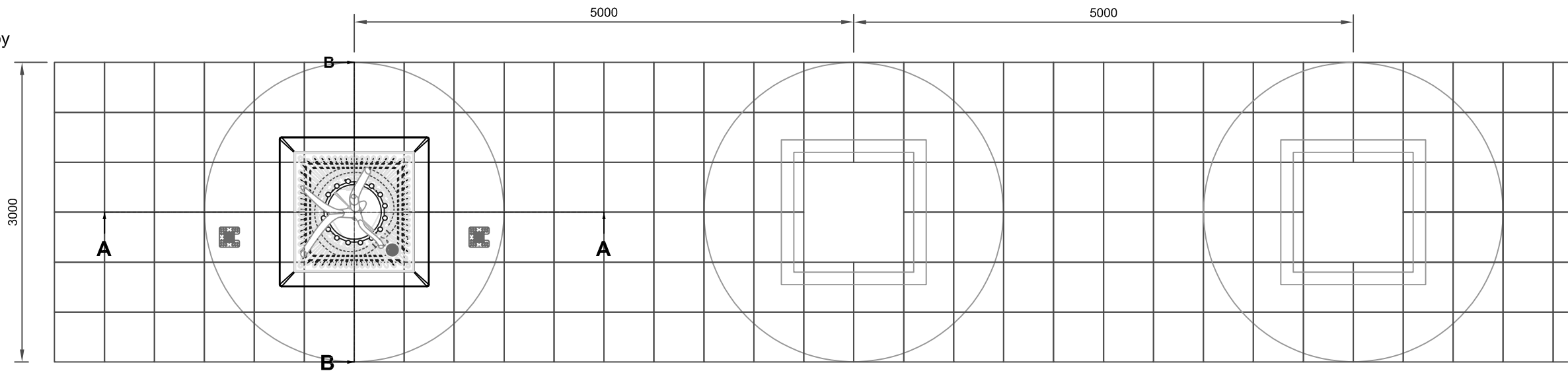
ADUR12B Adur 1200mm x 1200mm tree grille, finished in black, with galvanised steel support frame

GBUMOT3A - Drainage layer as per installation instructions

Note:
 20% additional for with the Geotextile and Reinforcing Mesh to allow for overlap and cutting requirements

For heavy load applications, install RootSpace side panels to installation as directed by engineer

Structural engineer's note:
 For increased strength and stability in soft ground conditions, specify RootSpace modules to incorporate side panel inserts to tree pit perimeter
 Additional geonet is required where sub-base is less than 3% CBR



PROJECT
 TREE PRODUCT PACKAGES

DRAWING TITLE
 TREE PIT SYSTEM INSTALLATION
 CONTINUOUS TREE TRENCH -
 ROOTSPACE & 5m TREE SPACING

CLIENT
 STANDARD DRAWINGS

DRAWING NUMBER
 GBU 2105

REV NO
 A

SCALE
 1:50 @ A3

DATE
 NOV '18

DRAWN BY
 TES



Northpoint, Compass Park, Bodiam,
 East Sussex, TN32 5BS
 Sales and Service: +44 (0)1580 830800
 Website: www.greenblueurban.com