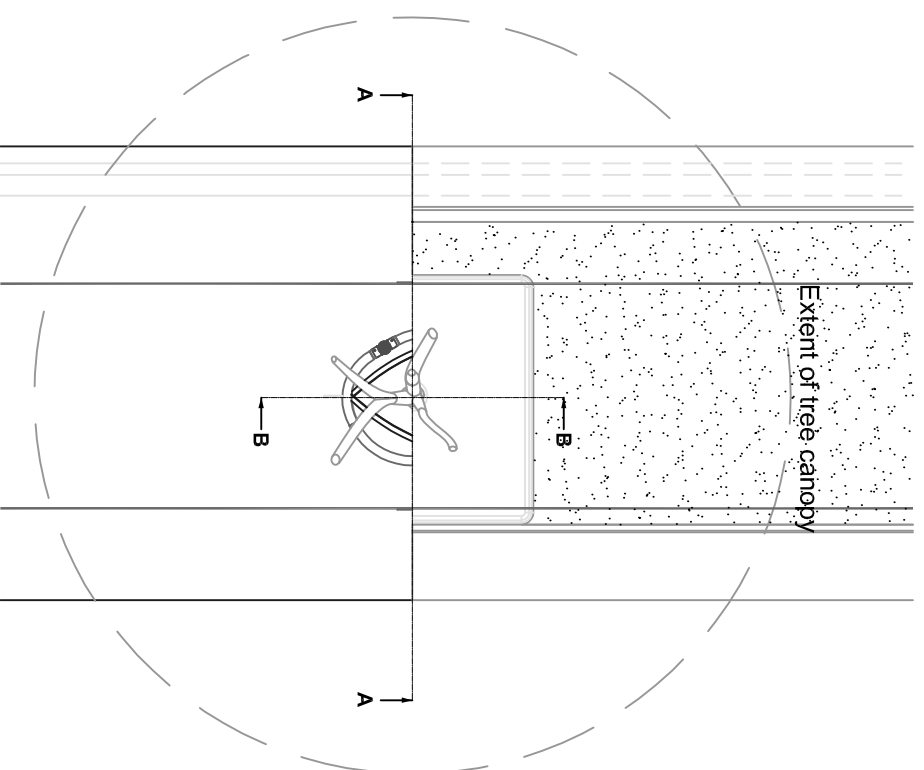
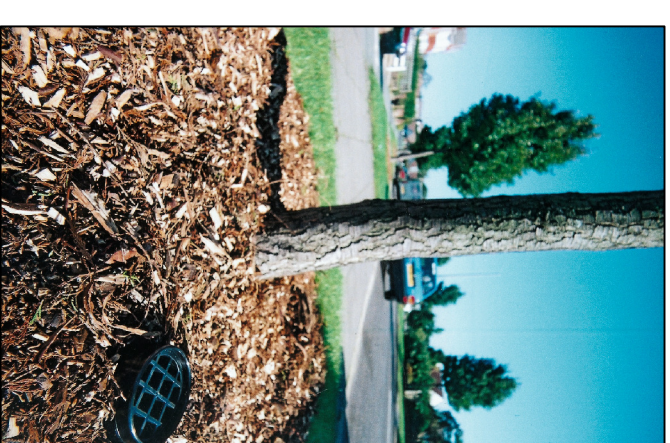


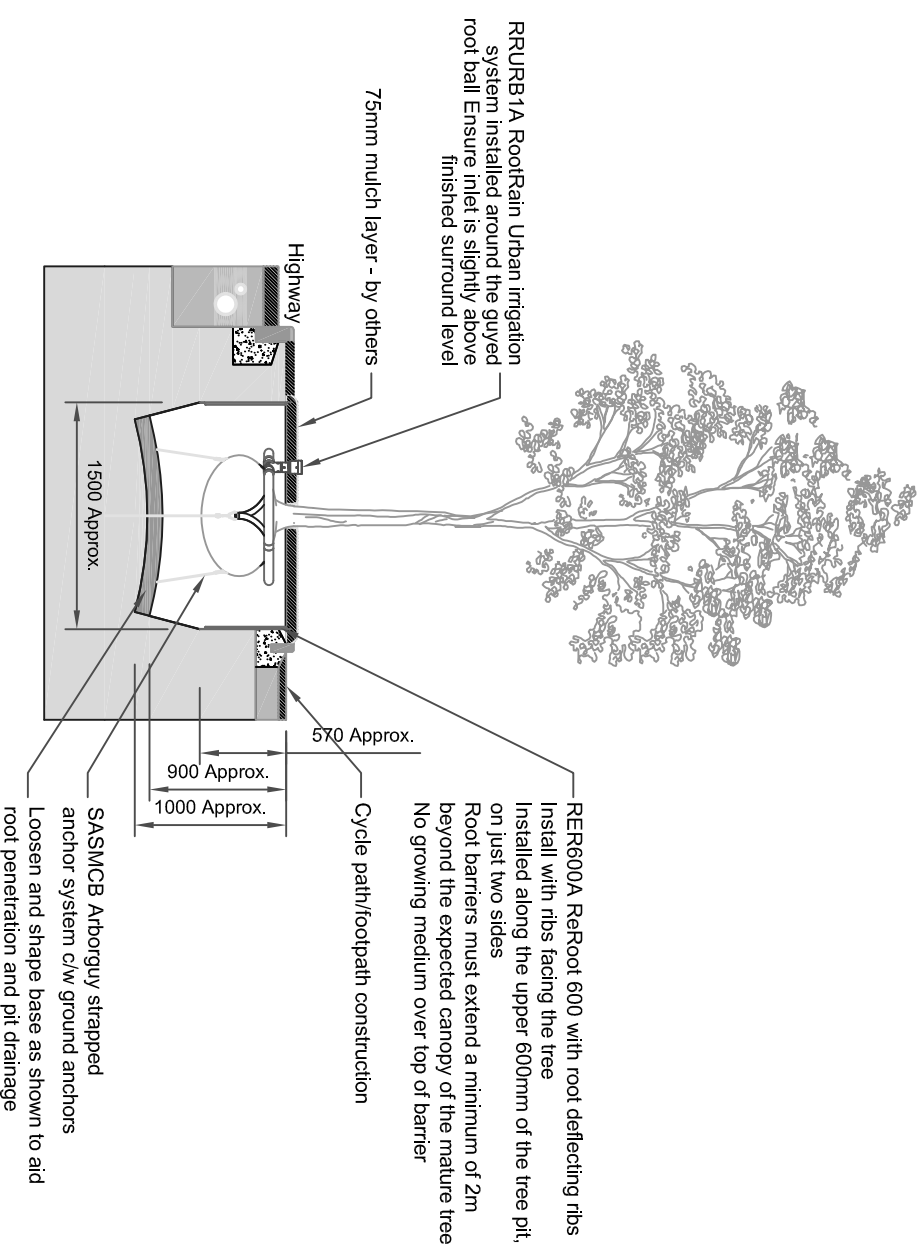
All dimensions and details are approximate and must be checked on site not scaled from the drawing. No part of this drawing can be reproduced or transmitted by any means electronic or mechanical including photocopy without prior permission in writing from GreenBlue Urban.

Package includes the following GreenBlue Urban products:

- RootStart Mycorrhiza - apply to tree pit at time of planting in accordance with manufacturer's recommendations - allow 200g per tree
 - RRURB1A RootRain Urban aeration/irrigation system
 - RER600A ReRoot 600 ribbed root barrier
 - RERJTA ReRoot Jointing tape
 - SASMCB Arborguy strapped anchor system - medium
- Note:**
Special drive rod kit required for SASMCB installation



PLAN WITH CANOPY HIDDEN



SECTION A-A



SECTION B-B

PROJECT
TREE PRODUCT PACKAGES

DRAWING TITLE
**TREE PIT SYSTEM INSTALLATION
MEDIAN VERGE TREE PIT**

CLIENT

DRAWING NUMBER
GBU 2001

REV NO
A

DATE
FEB '17

SCALE
1:50 @ A3

DRAWN BY
TES



Northpoint, Compass Park, Bodiam,
East Sussex, TN32 5BS
Sales and Service: +44 (0)1580 830800
Website: www.greenblueurban.com